

YHM2030

1A Load Switch with Reverse Current Blocking

Features

- Input voltage range: 1.5V ~ 5.5V
- Low on-resistance: typical 90mΩ
- Reverse Current Blocking When device is reverse bias.
- Low Quiescent current: 4μA.
- Output Discharge.
- Thermal Shutdown
- Robust ESD immunity capability
 - HBM > ±2KV
 - CDM > ±1KV
- Package
 - Tiny 4-bumps WLCSP 0.67mm x 0.67mm
 - 5 Pin SOT23

Applications

- Notebook and Tablet Computers.
- Smartphone, Wearable device.
- Electronic Toys.

Typical Application

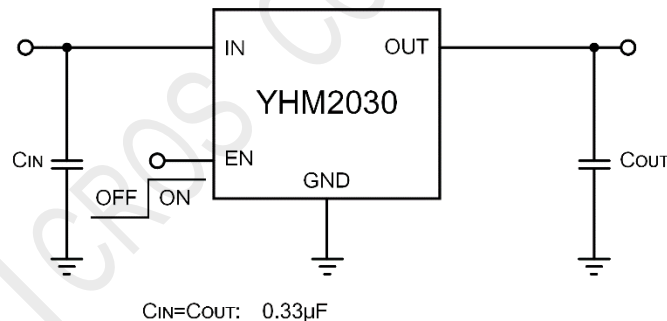


Figure 1. Application Diagram

General Description

YHM2030 is a 1A load switch. Its working voltage range is from 1.5V to 5.5V. When YHM2030 is forward biased and enabled, it has as little as 90mV of voltage drop while carrying currents as high as 1A. Typical voltage drop is 45mV at 500mA, with the voltage drop increasing linearly at higher currents.

YHM2030 has thermal protection and open switch to protect downstream circuit when temperature becomes too high.

When YHM2030 is disabled(EN=0), it blocks both directions up to 6V. And it is very suitable for portable device.

The YHM2030 is available in a tiny, 0.67mm X 0.67mm, 4-bump wafer-level package (WLP), with a 0.35mm bump pitch and 5-pin SOT-23 package. The YHM2030 operates over the extended -40°C to +125°C temperature range.

YHM2030

1A Load Switch with Reverse Current Blocking

Internal Block Diagram

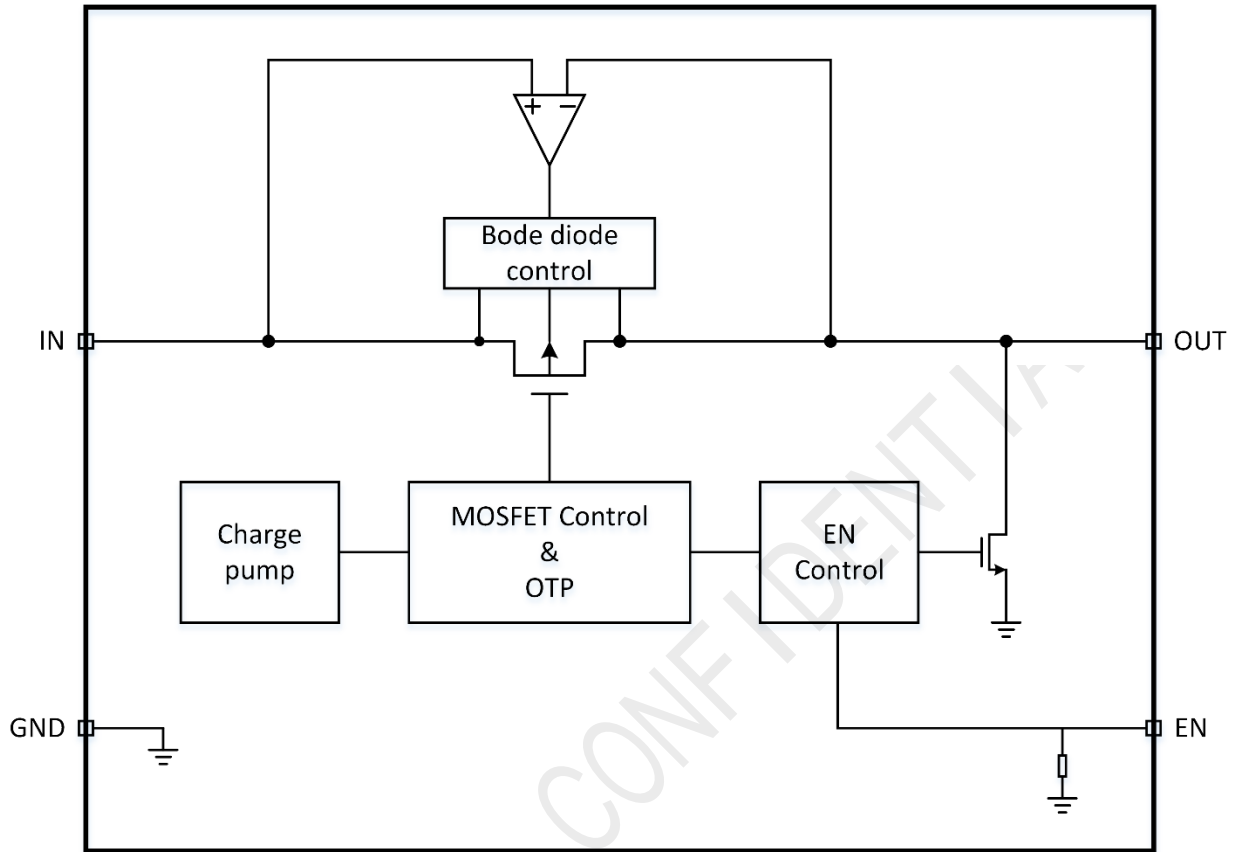


Figure 2. YHM2030 Functional Block Diagram

YHM2030

1A Load Switch with Reverse Current Blocking

Pin Configurations

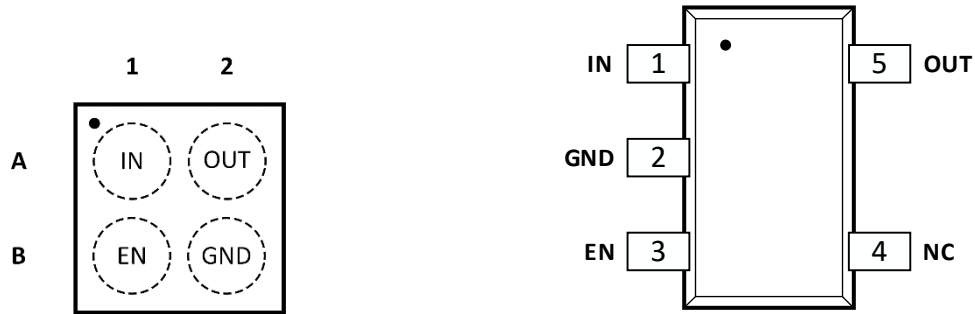


Figure 3. YHM2030 Assignment (Top View)

YHM2030 Pin Descriptions

WLP	SOT23-5	Name	Description
A1	1	IN	Power Input.
A2	5	OUT	Power Output.
B1	3	EN	Enable control. Device is active when EN=1.
B2	2	GND	Ground Connection.
-	4	NC	Not Connect.

1A Load Switch with Reverse Current Blocking

1 Absolute Maximum Ratings

Stresses exceeding the absolute maximum ratings may damage the device. The device may not function or be operable above the recommended operating conditions and stressing the parts to these levels is not recommended. In addition, extended exposure to stresses above the recommended operating conditions may affect device reliability. The absolute maximum ratings are stress ratings only.

Symbol	Parameter		Min.	Max.	Unit
V _{IN}	IN to GND		-0.3	6	V
V _{OUT}	OUT to GND		-0.3	6	V
V _{EN}	EN to GND		-0.3	6	V
I _{IN}	Input Current (Continuous)			1.5	A
I _{OUT}	Output Current			1.5	A
P _D	Total Power Dissipation at TA = 25°C			TBD	W
T _{STG}	Storage Temperature Range		-65	+150	°C
T _J	Maximum Junction Temperature			+150	°C
θ _{JA}	Thermal Resistance, Junction-to-Ambient (1-in. Pad of 2-oz. Copper)			TBD	°C/W
ESD	Human Body Model, ANSI/ESDA/JEDEC JS-001-2012	All Pins	2		KV
	Charged Device Model, JESD22-C101	All Pins	1		

Note 1. Refer to JEDEC JESD51-7, use a 4-layerboard

1A Load Switch with Reverse Current Blocking

2 Recommended Operating Conditions

The Recommended Operating Conditions table defines the conditions for actual device operation. Recommended operating conditions are specified to ensure optimal performance.

Parameters	Min.	Max.	Unit
Input Voltage: V_{IN}	1.5	5.5	V
Operating Ambient Temperature Range	-40	85	°C

3 Electrical Characteristics

Condition: $V_{IN} = 5V$, $C_{IN} = C_{OUT} = 0.33\mu F$, $T_A = -40^\circ C \sim 85^\circ C$, unless otherwise noted. Typical value at $T_A = +25^\circ C$.

Parameter	Symbol	Test Conditions	Min.	Typ.	Max.	Unit
Input Voltage Range	V_{IN}		1.5		5.5	V
EN Logic Voltage	V_{ENH} ^{NOTE1}		1.1		5	V
	V_{ENL}				0.3	
EN Pull Down Resistor	R_{ENPD}	$V_{EN} = 5V$	10			MΩ
Output Discharge Resistor	R_{DIS}			150		Ω
Thermal Shutdown Threshold	T_{SD}			150		°C
Thermal Hysteresis	T_{HYS}			20		°C
Switch On-Resistance (WLP)	R_{ON}	$I_{LOUT} = 1A, V_{IN} = 1.5V.$		90	180	mΩ
Switch On-Resistance (SOT23)	R_{ON}	$I_{LOUT} = 1A, V_{IN} = 1.5V.$		170		mΩ
Switch Output Current	I_{LOUT}				1	A
Quiescent Current	I_{LQ}	$I_{LOUT} = 0A, EN = 1;$		4	15	μA
		$EN = 0;$		0.35	1.2	
Reverse Turn off Threshold	V_{TF}	Voltage between V_{out} and V_{IN}		20		mV
Reverse Turn off time	t_{TF}	$EN = 1, V_{out} - V_{IN} > V_{TF}$		20		μs
Reverse Turn off release Threshold	V_{TFR}	$V_{IN} - V_{out}$		0		mV
Reverse Current leakage	I_{OUT_LEAK}	Current Draw from OUT, $V_{OUT} - V_{IN} = 0.1V$		0.1		μA

Note 1: If the voltage that applied on EN pin higher than 5V, need add one 2Mohm resistor between 5V to EN in series.

1A Load Switch with Reverse Current Blocking

4 Typical Operating Characteristics

$V_{IN} = 5V$, $C_{IN} = C_{OUT} = 0.33\mu F$ and $T_A = 25^\circ C$. (Unless Other Note)

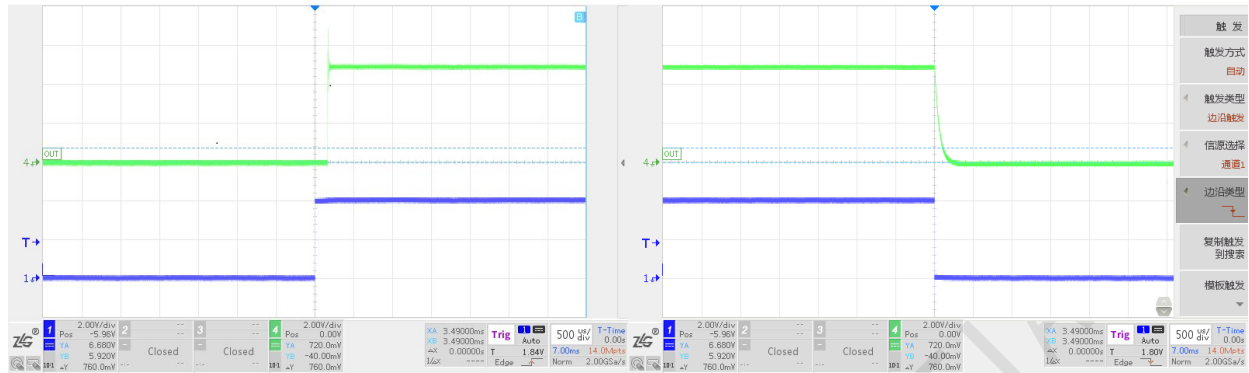


Figure 1

5 Detailed Description

5.1 General Introduction

YHM2030 is 1A load switch with very low R_{dson} . YHM2030 has very low leakage current from both directions during disabled period and very low reverse leakage current from output in reverse bias status.

5.2 Thermal Shutdown

YHM2030 has thermal shutdown function. When the junction temperature exceeds T_{SD} , the device turns off internal MOSFET to protect itself. The device exits thermal shutdown after junction temperature cools down below $T_{SD}-T_{HYS}$. And then the device full works after a soft start period.

5.3 SS function

To avoid high inrush current, YHM2030 integrated soft-start function. When EN status changes from logic 0 to logic 1 or from thermal shutdown mode, YHM2030 will regulate output current for a short time and then enter full function status.

5.4 Output discharge

YHM2030 has output discharge function. The V_{OUT} connects to GND with about 150ohm resistor when $EN=0$ or shutdown mode for 2ms and then disconnects this resistor.

5.5 Work mode

YHM2030 has designed for current direction from IN to OUT. So when $V_{IN} > V_{OUT}$, the device is forward-biased. YHM2030's operation is like below:

- 1) The switch is on when YHM2030 is forward-biased.
- 2) The switch is off when YHM2030 is reverse-biased.
- 3) The switch is off when junction temperature is higher than thermal shutdown threshold.

YHM2030



1A Load Switch with Reverse Current Blocking

4) The switch is off when EN=0.

To ensure internal circuit work stable, need add 0.33uF capacitor at least at both OUT and IN pin.

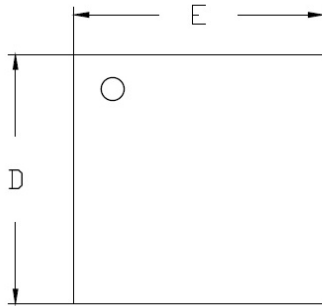
YHMICROS CONFIDENTIAL

YHM2030

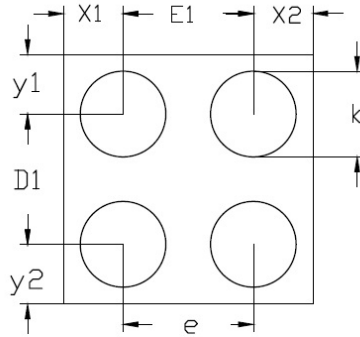
1A Load Switch with Reverse Current Blocking

6 Package Dimensions

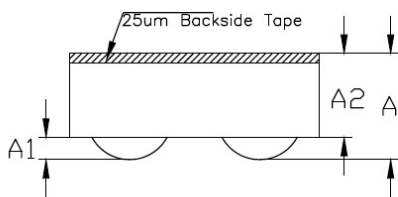
WLCSP-4



TOP VIEW
(MARK SIDE)



BOTTOM VIEW
(BALL SIDE)



SIDE VIEW

NOTES:
ALL WAFER ORIENTATION NOTCH DOWN

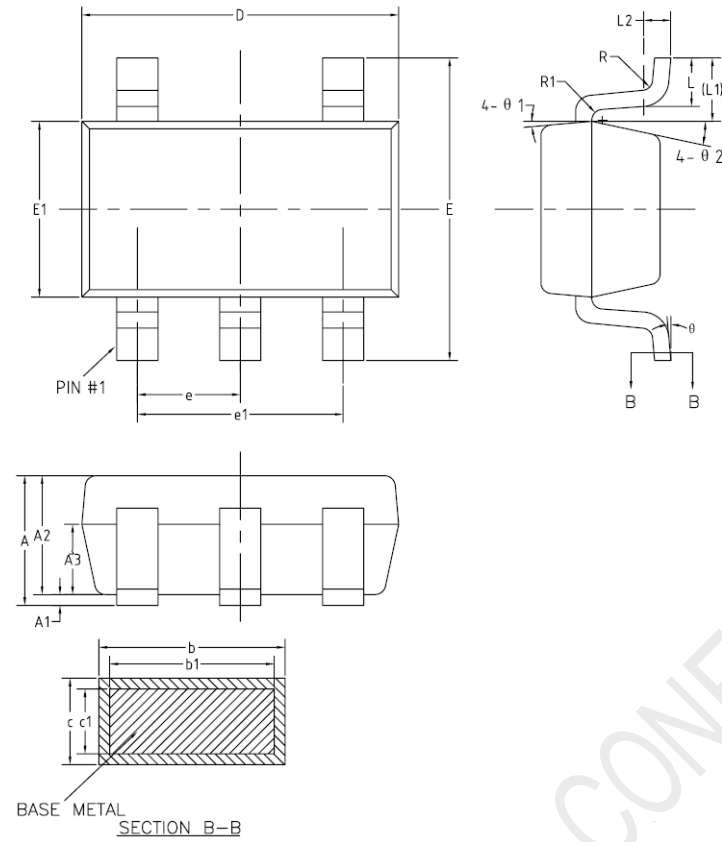
COMMON DIMENSIONS
(UNITS OF MEASURE=MILLIMETER)

SYMBOL	MIN	NOM	MAX
A	0.240	0.285	0.330
A1	0.040	0.060	0.080
A2	0.200	0.225	0.250
D	0.650	0.670	0.690
D1	0.350BSC		
E	0.650	0.670	0.690
E1	0.350BSC		
b	0.180	0.200	0.220
e	0.350 BSC		
x1	0.160 REF		
x2	0.160 REF		
y1	0.160 REF		
y2	0.160 REF		

YHM2030

1A Load Switch with Reverse Current Blocking

SOT23-5



COMMON DIMENSIONS
(UNITS OF MEASURE=MILLIMETER)

SYMBOL	MIN	NOM	MAX
A	—	—	1.25
A1	0	—	0.15
A2	1.00	1.10	1.20
A3	0.60	0.65	0.70
b	0.36	—	0.50
b1	0.36	0.38	0.45
c	0.14	—	0.20
c1	0.14	0.15	0.16
D	2.826	2.926	3.026
E	2.60	2.80	3.00
E1	1.526	1.626	1.726
e	0.90	0.95	1.00
e1	1.80	1.90	2.00
L	0.35	0.45	0.60
L1		0.59REF	
L2		0.25BSC	
R	0.10	—	—
R1	0.10	—	0.25
θ	0°	—	8°
θ 1	3°	5°	7°
θ 2	6°	—	14°

YHM2030



1A Load Switch with Reverse Current Blocking

7 Ordering Information

T = Tape and reel.

Part Number	Package	Top Mark (Note 1)	MOQ
YHM2030W4T	4 WLCSP	Sx	5000
YHM2030S5T	5 SOT23	Y2030	3000

T = Tape and reel.

Note 1: Letter x is production date code.

YHMICROS CONFIDENTIAL

YHM2030



1A Load Switch with Reverse Current Blocking

8 Datasheet Change History

Rev	Date	Changes
1.0	Dec. 2022	Initial Version
2.0	Nov. 2023	1. Change YHM2030S5T Top mark.

YHMICROS CONFIDENTIAL