

## 500mA Linear Charger with 150nA Shipping Mode Current

### Features

- 3.4V to 5.5V input range for Efficient Linear Charging
- Programmable Charging Current from 10mA to 500mA by 0.1% external resistor
- Low Dropout Fast Charge, up to 1.5A
- Configurable 4V - 4.525V charging voltage. Preset 4.2V with  $\pm 0.5\%$  Accuracy
- Fully Integrated Power Path Switches and No External Blocking Diode Required
- Charging/Discharging Current Monitor Output for Fuel Gauging
- Device Status Output and Access Command Input from STACMD pin
- C/20 Charge Termination
- 2.8V Trickle Charge Threshold
- Built-In Battery Disconnection Function for Shipping Mode with 150nA current consumption
- Built-In Robust Protection Including Input Current Limit, System Short-Circuit Protection, Discharge Current Limit, Battery OVP, Thermal Regulation
- Safety Related Certifications:  
IEC62368-1 : 2018 CB Certification
- Tiny 0.67mm x 1.02mm 6-pin WLP with 0.35mm pitch

### Applications

- Smart Watch/Band
- TWS Earbud
- Bluetooth Portable Device

### General Description

YHM2710 is a highly integrated, single-cell Li-ion battery charger with system power path management for space-limited portable applications. The full charger function features Trickle-charge, constant current fast charge and constant voltage regulation, charge termination, and auto recharge.

YHM2710 can deliver up to 500mA charging current, be programmed externally with a single resistor. The charge voltage is default 4.2V and adjustable by Access command. YHM2710 automatically terminates the charge cycle when the charge current drops to 1/20 of the programmed value after the final float voltage is reached. The device can report charging/discharging current for fuel gauging by current monitor output.

Fully Integrated Power Path Switches and no blocking diode is required due to the internal bi-direction MOSFET architecture. Thermal feedback regulates the charge current to limit the die temperature during high power operation or high ambient temperature.

YHM2710 can enter shipping mode by Access command and exit it after input power is present. In shipping mode, battery FET is open and the device only consume 150nA current.

The device status is indicated on STACMD pin output for charging, discharging and charge done. This pin also supports Access command to adjust charging current and charging voltage or enter different mode.

YHM2710 comes in a 6-bump, 0.35mm pitch, 0.67mm x1.02mm wafer-level package (WLP).

# YHM2710

## 500mA Linear Charger with 150nA Shipping Mode Current

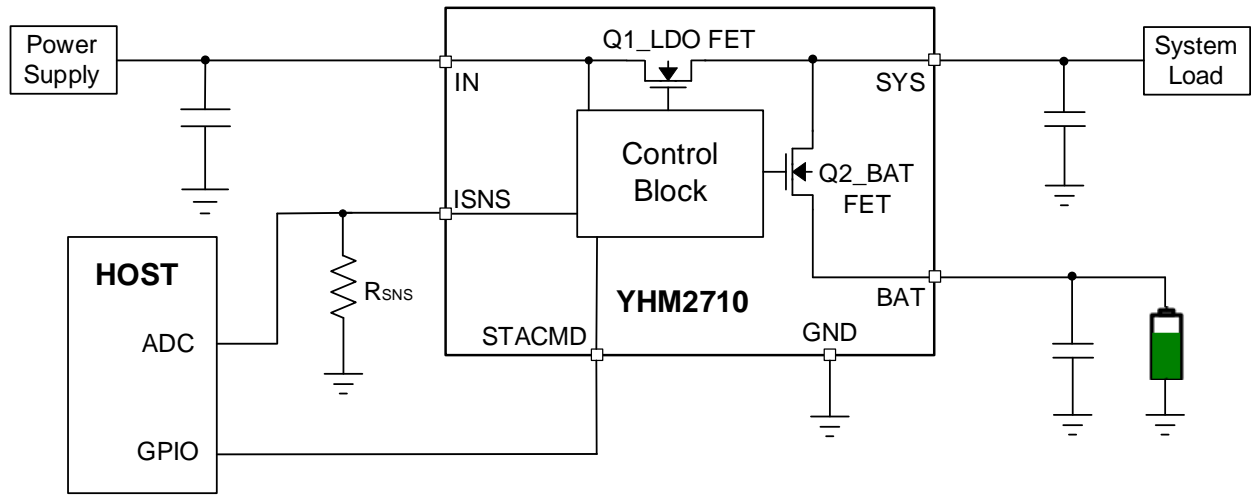


Fig 1. YHM2710 Typical Application

YHMICROS CONFIDENTIAL

# YHM2710

## 500mA Linear Charger with 150nA Shipping Mode Current

### YHM2710 Pin Configurations

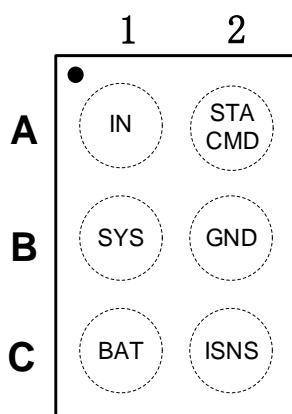


Fig 2. YHM2710 WLP-6 Pin Assignment(Top Through View)

### YHM2710 WLP Pin Descriptions

WLP	Name	Description
A1	IN	Input and Power Supply. Bypass this input with a ceramic capacitor to ground.
A2	STACMD	Status Output and Access Command Input. This pin can also be used as push button for hardware reset or exit ship mode, connect push button by 50kohm resistor.
B1	SYS	System power supply. Connect to system load. Place at least 4.7 $\mu$ F ceramic capacitor from SYS to GND, and as close to the IC as possible.
B2	GND	Ground.
C1	BAT	Battery Pin. Place at least 2.2 $\mu$ F ceramic capacitor from BAT to GND, and as close to the IC as possible.
C2	ISNS	Charge Current Program & Monitor Pin. The charge current is programmed by connecting a 0.1% resistor to GND. The voltage on this pin can be used to measure the current between BAT and SYS.

### Function Table

STACMD PIN	Status
Low	Charging
High	Other Status except Charging

# YHM2710



## 500mA Linear Charger with 150nA Shipping Mode Current

### 1 Absolute Maximum Ratings

Stresses exceeding the absolute maximum ratings may damage the device. The device may not function or be operable above the recommended operating conditions and stressing the parts to these levels is not recommended. In addition, extended exposure to stresses above the recommended operating conditions may affect device reliability. The absolute maximum ratings are stress ratings only.

Disclaimer: YHMICROS reserves the right to make any change in circuit design, specification or other related things if needed without notice at any time.

Symbol	Parameters	Min.	Max.	Unit
$V_{IN}$	IN to GND	-0.3	6	V
$V_{SYS}$	SYS to GND	-0.3	$V_{IN} + 0.3$	V
$V_{OTHER}$	Other Pin to GND	-0.3	6	V
$I_{IN}$	Input Current	0	1500	mA
$T_{STG}$	Storage Junction Temperature	-65	+150	°C
$T_J$	Operating Junction Temperature		+150	°C
$T_L$	Lead Temperature (Soldering, 10 Seconds)		+260	°C
$\theta_{JA}$	Thermal Resistance, Junction-to-Ambient (100mm <sup>2</sup> pad of 1 oz. copper)		TBD	°C/W
All Pins	Electrostatic Discharge Capability	Human Body Model, EIA/JESD22-A114	2	KV
		Charged Device Model, JESD22-C101	1	

Note 1. Refer to JEDEC JESD51-7, use a 4-layerboard

### 2 Recommended Operating Conditions

The Recommended Operating Conditions table defines the conditions for actual device operation. Recommended operating conditions are specified to ensure optimal performance.

Parameters	Min.	Max.	Unit
$V_{IN}$	3.4	5.5	V
$I_{IN}$	0	550	mA
$I_{DISCHG}$	0	1500*	mA
$I_{CHG}$	10	500	mA
$V_{OTHER}$	0	5.5	V
$C_{IN}$	0.1		μF
$C_{SYS}$ (at least 3μF of ceramic capacitance with DC bias de-rating)	4.7		μF
$C_{BAT}$	2.2		μF
Ambient Operating Temperature, $T_A$	-40	85	°C
Operating Junction Temperature, $T_J$	-40	150	°C

\*1.5A continuous discharge current in 85°C. Peak 2.5A 10ms.

# YHM2710



## 500mA Linear Charger with 150nA Shipping Mode Current

### 3 Detailed Electrical Characteristics

( $V_{IN} = 5V$ ,  $V_{BAT} = 3.7V$ ,  $T_A = -40^{\circ}C$  to  $+85^{\circ}C$ . Typical values are at  $T_A = +25^{\circ}C$ , unless otherwise noted) (Note 1)

PARAMETER	SYMBOL	CONDITIONS	MIN	TYP	MAX	UNITS
<b>Input and Power Path</b>						
Input Voltage Range	$V_{IN}$		3.4		5.5	V
Input Undervoltage Lockout Threshold	$V_{IN\_UVLO}$	Input Falling		3.2		V
Input Undervoltage Lockout Threshold Hysteresis	$V_{IN\_UVLO\_HYS}$	Input Rising		200		mV
Input vs. Battery Voltage Headroom Threshold	$V_{HDRM}$	Input Rising vs. Battery		150		mV
Input vs. Battery Voltage Headroom Threshold Hysteresis	$V_{HDRM\_HYS}$			30		mV
Quiescent Supply Current	$I_{INQ}$	$T_A = +25^{\circ}C$ , Charge Mode		0.5		mA
		$-40^{\circ}C \leq T_A \leq +85^{\circ}C$ , Charge Mode			2	
IN to SYS switch on resistance	$R_{ON\_Q1}$	$V_{IN} = 5V$ , $I_{SYS} = 100mA$		140	250	m $\Omega$
Regulated SYS Output Voltage	$V_{SYS}$	$1.03 \times V_{REG}$ ( $V_{REG} = 4.2V$ )		4.326		V
		Accuracy, $T_A = +25^{\circ}C$	-2		2	%
Input Current Protection	$I_{IN\_OCP}$		520	550	590	mA
<b>Battery Charger</b>						
Battery Quiescent Current	$I_{BATQ}$	$V_{IN} = 5V$ , Charge Done, $I_{SYS} = 0mA$		2		$\mu A$
		$V_{IN} = 0V$ , $V_{BAT} = 4.35V$ , $I_{SYS} = 0mA$		20		$\mu A$
		Sleep Mode		150	500	nA
		Shipping Mode		150	500	nA
Battery FET on resistance	$R_{ON\_Q2}$	$V_{IN} = 0V$ , $V_{BAT} = 3.7V$ , $I_{SYS} = 100mA$		50		m $\Omega$
Battery Charge Voltage Regulation	$V_{REG}$	Default, $T_A = +25^{\circ}C$		4.2		V
		Accuracy, $T_A = +25^{\circ}C$	-0.5		0.5	%
Fast Charge Current	$I_{REG}$	$R_{SNS} = 25k\Omega$		20		mA
		$R_{SNS} = 10k\Omega$		50		
		$R_{SNS} = 5k\Omega$		100		
		$R_{SNS} = 2k\Omega$		250		
		$R_{SNS} = 1k\Omega$		500		
		Accuracy, $T_A = +25^{\circ}C$ , $R_{SNS} = 2k\Omega$	-5		5	%
Regulation Junction Temperature Threshold	$T_{J\_REG}$			120		$^{\circ}C$
Trickle-Charge Current	$I_{TRICKLE}$	$= 0.05 \times I_{REG}$ , $R_{SNS} = 2k\Omega$		12.5		mA
Trickle-Charge Threshold Voltage	$V_{BAT\_TRICKLE}$	$V_{BAT}$ Rising	2.7	2.8	2.9	V
Trickle-Charge Threshold Hysteresis				100		mV
Pre-Charge Current	$I_{PRE}$			4		mA

# YHM2710



## 500mA Linear Charger with 150nA Shipping Mode Current

Pre-Charge Threshold Voltage	V <sub>BAT_PRE</sub>	V <sub>BAT</sub> Rising	2	V
Pre-Charge Threshold Hysteresis			100	mV
Termination Current Threshold	I <sub>TERM</sub>	=0.05×I <sub>REG</sub> , R <sub>SNS</sub> = 2kΩ	12.5	mA
Termination Deglitch Time	t <sub>TERM_DGL</sub>		32	ms
Battery Auto-recharge Voltage Threshold	V <sub>RECH</sub>	V <sub>BAT</sub> Falling	200	mV
Battery Auto-recharge Voltage Deglitch Time	t <sub>RECH_DGL</sub>		120	ms
Over Discharge Current Regulation	I <sub>DIS_REG</sub>	=10×I <sub>REG</sub> , R <sub>SNS</sub> = 2kΩ	2500	mA
Battery Undervoltage Lockout Threshold	V <sub>BAT_UVLO</sub>	V <sub>BAT</sub> Falling	2.4	V
Battery Undervoltage Lockout Threshold Hysteresis	V <sub>BAT_UVLO_HYS</sub>		200	mV
Battery Overvoltage Protection Threshold	V <sub>BAT_OVP</sub>	V <sub>BAT</sub> Rising, higher than V <sub>REG</sub>	100	mV
Battery Overvoltage Protection Threshold Hysteresis	V <sub>BAT_OVP_HYS</sub>		90	mV
System Voltage Threshold for Short Detection	V <sub>SHORT</sub>		2	V
<b>Shipping Mode</b>				
Enter shipping mode deglitch time	t <sub>SMEN_DGL</sub>		1.5	s
<b>THERMAL PROTECTION</b>				
Thermal Shutdown	T <sub>SHDN</sub>		150	°C
Thermal Hysteresis	T <sub>HYST</sub>		20	°C
<b>LOGIC</b>				
High Voltage of ACMD	V <sub>IH_ACMD</sub>	1.8V Version	1.17	V
Low Voltage of ACMD	V <sub>IL_ACMD</sub>		0.3	V
Output High Voltage of STACMD	V <sub>OH_STA</sub>		1.475	V
Output Low Voltage of STACMD	V <sub>OL_STA</sub>	I <sub>SINK</sub> =5mA	0.15	V
<b>ACMD Timing &amp; Specification</b>				
ACMD Line Pull up resistor	R <sub>PULL</sub>		10	KΩ
Bit Period	t <sub>BIT</sub>		300	ns
Logic 0	t <sub>LOG0</sub>		8	t <sub>BIT</sub>
Logic 1	t <sub>LOG1</sub>		26	t <sub>BIT</sub>
Logic Z	t <sub>LOGZ</sub>		60	t <sub>BIT</sub>
SWC Rising Time	t <sub>SRISE</sub>		0.5	t <sub>BIT</sub>
SWC Falling Time	t <sub>SFALL</sub>		0.5	t <sub>BIT</sub>
Two Bit interval	t <sub>INTV</sub>		1	t <sub>BIT</sub>

**Note** : All specifications are 100% production tested at T<sub>A</sub> = +25°C, unless otherwise noted.

## 500mA Linear Charger with 150nA Shipping Mode Current

### 4 Detailed Description

#### 4.1 General Introduction

The YHM2710 is a highly integrated, single-cell Li-ion battery charger with system power path management. The full charger function features Trickle-charge, constant current fast charge and constant voltage regulation, charge termination, and auto recharge. The power path function allows the input source to power the system and charge the battery simultaneously. The device supports private Access command to configure charger without I<sup>2</sup>C. The internal bias circuit of the IC is powered from V<sub>MAX</sub>, which is the higher voltage of either V<sub>IN</sub> or V<sub>BAT</sub>. The POR voltage of the device is 1.8V.

#### 4.2 Power Path Management

The YHM2710 employs a pass-through power path structure with the LDO FET(Q1) between IN and SYS, and the battery FET (Q2) between SYS and BAT, to decouple the system from the battery. This allows for separate control between the system and the battery. The LDO output is always regulated to 1.03×V<sub>REG</sub>. If the V<sub>IN</sub> is less than target LDO output, the LDO FET is fully turn on to pass through the current. The input current limit threshold is 550mA, when total current for charge and system load is above 550mA, the LDO FET will regulate the current. If the load further increases and V<sub>SYS</sub> falls below 2V, the device enters hiccup mode. The device also features RCB, when V<sub>SYS</sub> exceeds V<sub>IN</sub> by 5mV, the LDO FET will turn off.

#### 4.3 Charge Profile

A charge cycle begins when V<sub>IN</sub> rises above the UVLO threshold level. If the V<sub>BAT</sub> is less than 2V, the charger enters Pre-charge mode. In this mode, the YHM2710 supplies 4mA charge current for dead battery. If the V<sub>BAT</sub> is above 2V and less than 2.8V, the charger enters Trickle-charge mode. In this mode, the YHM2710 supplies approximately 1/20 the programmed charge current to bring the battery voltage up to a safe level for full current charging. When V<sub>BAT</sub> rises above 2.8V, the charger enters constant-current mode, where the programmed charge current is supplied to the battery. When V<sub>BAT</sub> approaches V<sub>REG</sub>, the YHM2710 enters constant-voltage mode and the charge current begins to decrease. When the charge current drops to 1/20 of the programmed value, the charge cycle ends. When this voltage drops below the recharge threshold, another charge cycle begins and current is once again supplied to the battery.

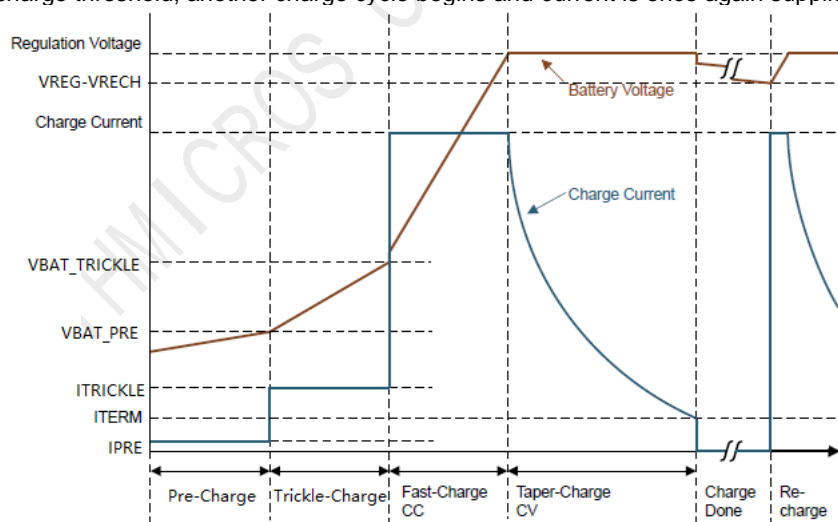


Fig 3. Battery Charge Profile

#### 4.4 Charge Current Programming

The fast charge current is programmed using a single resistor from the ISNS pin to ground. The program resistor and the charge current are calculated using the following equations:

$$R_{SNS} = 500/I_{REG}$$

The charge current out of the BAT pin can be determined by ISNS pin voltage using the following equation:

## 500mA Linear Charger with 150nA Shipping Mode Current

$$I_{BAT\_CHG} = V_{ISNS} \times I_{RATIO\_CHG} / R_{SNS}$$

The discharge current into the BAT pin can be determined by ISNS pin voltage using the following equation:

$$I_{BAT\_DCG} = V_{ISNS} \times I_{RATIO\_DIS} / R_{SNS}$$

Connect ISNS pin to an ADC can monitor the charge and discharge current at any time for fuel gauging. When VBAT current is charging mode, I<sub>RATIO</sub> is 1000. In discharging mode, I<sub>RATIO</sub> is 5000. I<sub>RATIO</sub> can be read from ACMD. See below table for detail. In charge done or stop charge mode, the load is supplied by input power, the current monitor does not work.

Mode (02H [7:4])	VSYS>VBAT (05H [0])	ISNS_RATIO (05H [4])	VBAT Current Direction	Q2_ratio
Chg Mode(12)	1	0	Charging	1000
Chg Mode(12)	0	0	Discharging	5000
DisChg Mode(8)	x	0	Discharging	5000

**Table 1. Current Ratio**

### 4.5 Low Dropout Fast Charge

YHM2710 supports low dropout fast charge, up to 1.5A charging current. When V<sub>IN</sub> is above UVLO and below V<sub>REG</sub>, Q1 will enter bypass mode. Then configure 00H[0]=1 to disable Q1 550mA current limit, 00H[3]=1 to disable headroom voltage and configure 01H[7:5] to choose the actual charging current for fast charge. Configure 03H[5]=1 can make Q2 fully on for directly charging.

### 4.6 Battery Discharge

When V<sub>IN</sub> is above UVLO threshold level, system is power by input from LDO FET. When V<sub>sys</sub> drop to below V<sub>BAT</sub> by 5mV, the BAT FET turn on and battery start to supply current to system load. If V<sub>sys</sub> rise to V<sub>BAT</sub> plus 5mV, BAT FET goes back to charge mode. The YHM2710 has an over-discharge current limit in discharge mode. Once the discharge current exceeds the programmable discharge current limit (10×I<sub>REG</sub>), the battery FET will regulate the current.

### 4.7 Thermal Regulation and Thermal Shutdown

The YHM2710 will reduce the programmed charge current by half if the die temperature attempts to rise above 120°C. This feature protects the YHM2710 from excessive temperature and allows the user to push the limits of the power handling capability of a given circuit board without risk of damaging the chip. When the junction temperature reaches 150°C, both Q1 and Q2 turn off.

### 4.8 System Short-Circuit Protection

The YHM2710 features SYS node short-circuit protection (SCP) for both the IN to SYS path and the BAT to SYS path. The system voltage is monitored continuously. When V<sub>sys</sub> is lower than 2V consecutively for 60μs, the chip enters FAULT mode and both Q1 and Q2 will be turned off, hiccup 2ms later.

### 4.9 Shipping Mode

At any point in the charge cycle, the YHM2710 can be put into shipping mode by Access command for 1.5s. In shipping mode, BAT FET turns off and the device only consume 150nA current from battery. Plug V<sub>IN</sub> to wake the YHM2710 up from shipping mode or pull STACMD to ground for 10.5s for the same.

### 4.10 Current Test Mode

When V<sub>IN</sub> exceed 6V for 2ms or set by Access command, the YHM2710 will enter current test mode. In this mode, Q2 turn off and the system current can be measured from input power supply. In test mode, the chip does not have over current protection, recommend add external OVP/OCP device in test cable. Remove V<sub>IN</sub> to exit the current test mode.



# YHM2710

## 500mA Linear Charger with 150nA Shipping Mode Current

### 4.11 Sleep Mode

YHM2710 can enter sleep mode by configuration. In sleep mode, battery Iq is only 150nA, the recommended discharge current is below 10mA. Before system wake up for large load, need to configure YHM2710 to exit sleep mode first.

### 4.12 Hardware Reset

Pull STACMD down to GND for 10.5s, the device will shut down SYS for 200ms and automatically powering it back on. Choose a GPIO to connect to STACMD for communication which is high impedance when MCU is power off.

### 4.13 Status

The STACMD pin can indicate charging, discharging and charge done status. When it is high, the battery is in discharging or charge done. When it is low, the battery is in charging.

YHMICROS CONFIDENTIAL

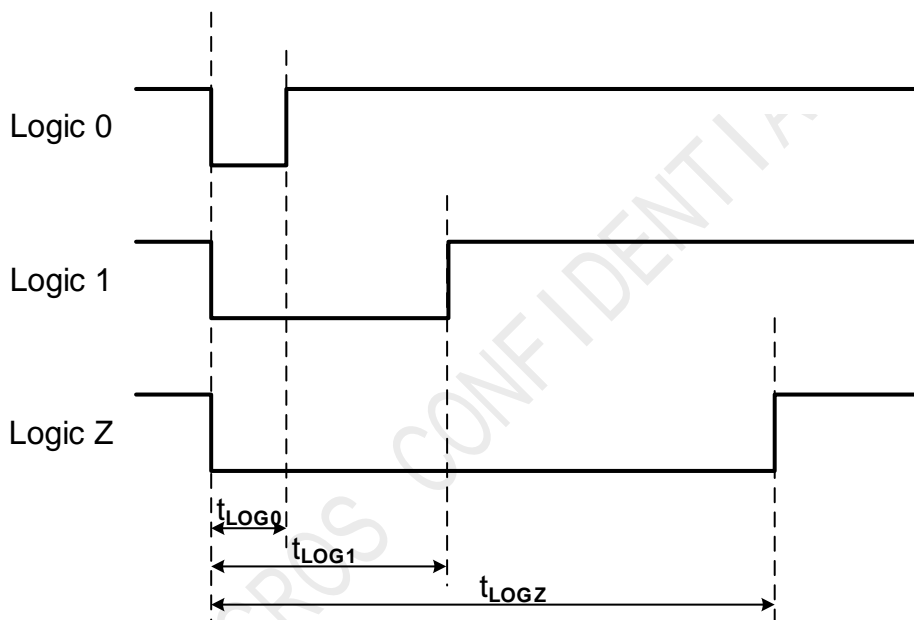
## 500mA Linear Charger with 150nA Shipping Mode Current

### 5 Access Command

YHM2710 supports private Access Command(ACMD) from STACMD pin to configure the charger. Access command is a single wire communication protocol developed by YHMICROS. There are two type devices, master and slaver, in this protocol. The master can send control command to slaver and read slaver status. The slaver can only respond master instruction. Only the master can initial communication in Access command. The 7bit slave address of YHM2710 is 04H in normal mode.

#### 5.1 ACMD Physical Layer

The communication line in ACMD is pull high with internal resistor. This line keeps in high voltage level if there is no communication signal. ACMD master or slaver can pull low this line if they need send data on this line. There are three waveforms to indicate three logic statuses (Logic 0, Logic 1 and Logic Z). These waveforms are different from their low pulse width. Please refer to below figure.



**Figure 4. ACMD Logic Bit**

Logic 0's low voltage width is  $8 t_{BIT}$ , Logic 1's low voltage width is  $26 t_{BIT}$  and Logic Z's low voltage width is  $60 t_{BIT}$ . Logic 0 and Logic 1 are used to normal data communication. Logic Z is used as START, RE-START and STOP bit in data package. When device received Logic Z, it will reset internal status machine and intermediate variables in ACMD protocol. Please note, because master and slaver can pull down the communication line, the total low voltage period is AND operation for both master TX signal and slave TX. Figure 5 indicates this situation.

## 500mA Linear Charger with 150nA Shipping Mode Current

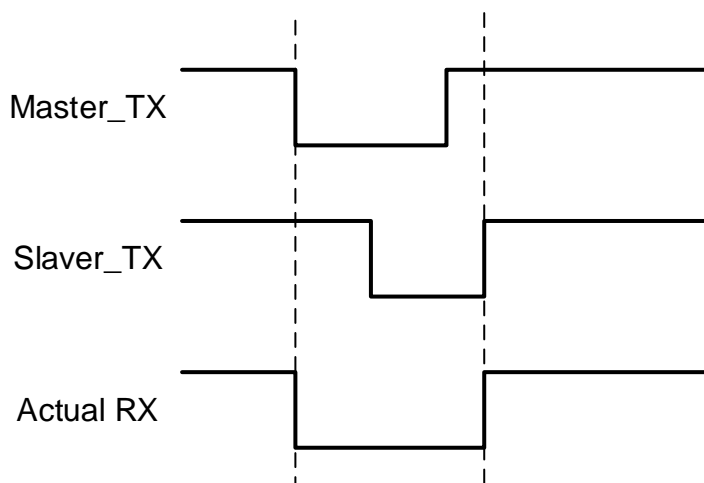


Figure 5. RX Behavior if Master and Slaver Drive Line Together

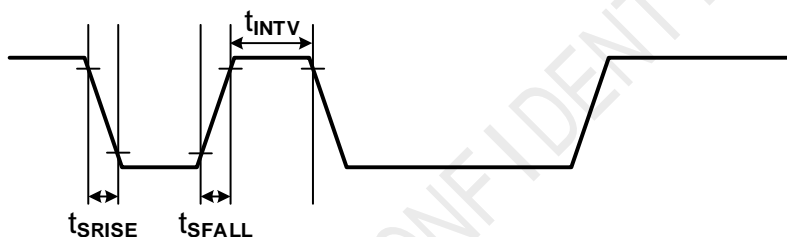


Figure 6. ACMD Bit Timing

### 5.2 ACMD Protocol Layer

One ACMD data package is formed one START signal, data and STOP signal. Logic Z servers as START, RE-START and STOP signal role. When slaver receive one start signal, it reset status machine and wait for the data from line. It continues to receive data or send back to the master until it receives one STOP bit. Data character is formed with 8 bits data plus 1 bit parity. This parity is sent from the other side in communication. For example, if data is from the master, slave sends this parity as ACK for received one character data and the master check this bit to know the slave received data correct or not. Please note in the last data character, master send NACK to slave. NACK is NOT operation to ACK. Data character is MSB firstly. YHMICROS ACMD write and read operations include two options. One is normal device addressing mode. The other is short device addressing mode. In normal device address mode, the device has 6-bit device address (64 devices) and 8-bit register address (256 registers). It is used for large register address numbers device. In short device addressing mode, the device has 2-bit device address (4 devices) and 4-bit register address (16 registers). This means one ACMD line can support 4 slaver devices at most in short mode. But in this mode, the register number is less than the normal mode.

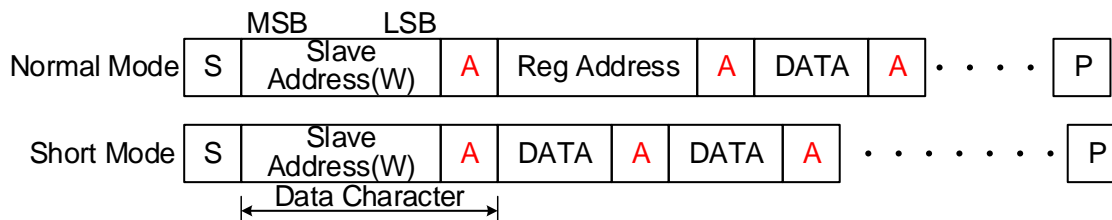
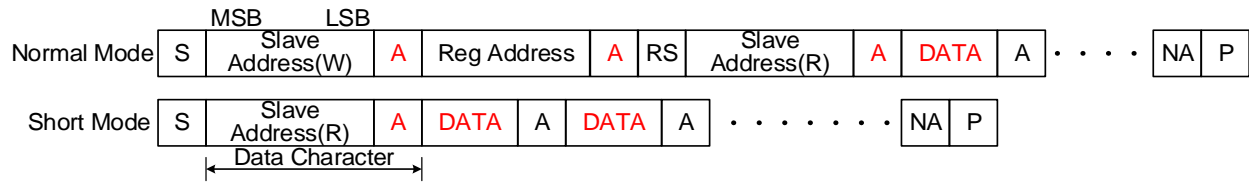


Figure 7. Write Operation in ACMD

# YHM2710

## 500mA Linear Charger with 150nA Shipping Mode Current



**Figure 8 Read Operation in ACMD**

In above figure, red bit is sent from slaver and the others is sent from master. The slave address character description is listed below.

Mode	Bit 7	Bit 6	Bit 5	Bit 4	Bit 3	Bit 2	Bit 1	Bit 0	A
Normal	Mode flag. 0: Normal mode. 1: Short mode	Device Address						Write/Read flag. 0: Write 1: Read	ACK from Slaver. Parity of Bit [7:0]
Short		Device Address	Register Address						

**Table 2. Slave Address Character**

# YHM2710



## 500mA Linear Charger with 150nA Shipping Mode Current

### Register Map

Addr	ID	Default	B7	B6	B5	B4	B3	B2	B1	B0	
00H	V_CTRL	00H	VREG[3:0]				VHDRM	VTRICKLE	Q1_RCB	Q1_ILIM_DIS	
01H	I_CTRL	00H	ICC[2:0]			ITERM	ITRICKLE	IPRE_VBAT	SYS_TRICK	RESERVED	
02H	MODE	A0H	MODE[3:0]				M_SET	BAT_OV_DIS	RST_REG	HD_RST	
03H	CONFIG	00H	RESERVE_D	ITERM_DIS	CC_DIS	WD_RST	WD_EN	VRECH	DIS_VIN_I	FT_DEB_T	
05H	STATUS1		CHG_STATUS[2:0]			ISNS_RATIO	TSD_120	TSD_150	ISNS<ITERM	VSYS>VBAT	
06H	STATUS2		FSM MODE[3:0]				VBAT>2	VBAT>VBAT_TRICKLE	VBAT_OV	VBAT_UV	
07H	STATUS2		CV_BAR				RESERVE_D				
08H	ID	A0H	Vendor				Revision				

### V\_CTRL Register

Address: 00h

Type: Read/Write

Bits	Name	Defaults	Description	Comment
7:4	VREG[3:0]	0 0 0 0	0000: 4.2V; 0001: 4.225V; 0010: 4.25V; 0011: 4.275V; 0100: 4.3V; 0101: 4.325V; 0110: 4.35V; 0111: 4.375V; 1000: 4.4V; 1001: 4.425V; 1010: 4.45V; 1011: 4.475V; 1100: 4.5V; 1101: 4.525V 1110: 4V; 1111: 4.1V;	Battery regulation voltage.  Default: 4.2V
3	VHDRM	0	0: 150mV Headroom voltage 1: No Headroom voltage	V <sub>IN</sub> Vs V <sub>BAT</sub>
2	VTRICKLE	0	0: 2.8V 1: 3V	Trickle-charge to fast charge threshold. Default 2.8V.
1	Q1_RCB	0	0: V <sub>sys</sub> - 5mV > V <sub>IN</sub> 1: V <sub>sys</sub> +5mV > V <sub>IN</sub>	Input reverse blocking voltage threshold. Default trigger condition is V <sub>sys</sub> - 5mV > V <sub>IN</sub> .
0	Q1_ILIM_DIS	0	0: 550mA 1: Disable Q1 ILIM	Disable Q1 current limit, default is 550mA

\*Configure VHDRM=1 and Q1\_RCB=1 and CC\_DIS=1 to support bypass mode.

### I\_CTRL Register

Address: 01h

Type: Read/Write

Bits	Name	Defaults	Description	Comment
7:5	ICC[2:0]	0 0 0	000: 0.5×I <sub>REG</sub> ; 001: 0.2×I <sub>REG</sub> ; 010: 0.7×I <sub>REG</sub> ; 011: 0.9×I <sub>REG</sub> ; 100: I <sub>REG</sub> ; 101: 1.5×I <sub>REG</sub> ; 110: 2×I <sub>REG</sub> ; 111: 3×I <sub>REG</sub>	Fast charge current I <sub>CC</sub> . Default: I <sub>CC</sub> = 0.5×I <sub>REG</sub> (000) I <sub>REG</sub> is set by R <sub>SNS</sub>
4	ITERM	0	0: 0.05×I <sub>REG</sub>	Termination current.

# YHM2710

## 500mA Linear Charger with 150nA Shipping Mode Current

			1: $0.1 \times I_{REG}$	Default: $0.05 \times I_{REG}$ $I_{REG}$ is set by $R_{SNS}$
3	ITRICKLE	0	0: $0.05 \times I_{REG}$ 1: $0.1 \times I_{REG}$	Trickle charge current. Default: $0.05 \times I_{REG}$ $I_{REG}$ is set by $R_{SNS}$
2	IPRE	0	0: 4mA 1: 12mA	Pre charge current.
1	SYS_TRACK	0	0: Disable SYS_TRACK, VSYS= $1.03 \times V_{REG}$ during charging, Q1 limit 550mA 1: Enable SYS_TRACK, VSYS= $1.053 \times V_{BAT}$ during charging, Q1 limit 275mA	
0	RESERVED			

### MODE Register

Address: 02h

Type: Read/Write

Bits	Name	Defaults	Description	Comment
7:4	MODE[3:0]	1010	0000: RESET 0001: SHIPPING 0010: SLEEP 0011: ITEST 0100~0111: RESERVED 1000: DISCHARGE 1001: FAULT 1010: START 1011: SYS_PRE 1100: CHARGE 1101: CHARGE_DONE 1111: STOP_CHARGE	Valid when write M_SET=1 1111: STOP_CHARGE 0011: ITEST 0001: SHIPPING 0010: SLEEP When exit above mode, must exit to correct mode*
3	M_SET	0	0: No Action 1: Set FSM mode as MODE [3:0]	Auto Clear
2	BAT_OV_DIS	0	0: Enable BAT OV 1: Disable BAT OV	
1	RST_REG	0	0: No Action 1: Reset Reg	Auto Clear
0	HD_RST	0	0: No Action 1: POR	Auto Clear

\*Check VIN OK before enter stop charge mode.

\*Write MODE[3:0]=1100 if want to exit Stop Charge Mode

\*Write MODE[3:0]=1000 if want to exit Sleep Mode

\*Write MODE[3:0]=1010 if want to exit ITEST Mode or Shipping Mode

### CONFIG Register

Address: 03h

# YHM2710

## 500mA Linear Charger with 150nA Shipping Mode Current

Type: Read/Write

Bits	Name	Defaults	Description	Comment
7	RESERVED			
6	ITERM_DIS	0	0: Termination is enabled 1: Termination is disabled	
5	CC-DIS	0	0: Q2 CC is enabled 1: Q2 CC is disabled	
4	WTD_RST	0	0: Default 1: Reset WD wait timer (Clear to 0 after write)	Auto Clear
3	WD_EN	0	0: Disable 1: Enable watch dog	16s WDI wait time. When timer out, turn off Q1&Q2 for 200ms then enter start up mode
2	VRECH	0	0: 200mV 1: 100mV	Battery Recharge Voltage Threshold
1	DIS_VIN_ITEST	0	0: Enable 1: Disable	0: Enable $V_{IN}>6V$ enter current test mode.
0	FT_DEB_TIME	0	0: 2ms 1: 100ms	Fault hiccup time

### STATUS1 Register

Address: 05h

Type: Read Only

Bits	Name	Defaults	Description	Comment
7:5	CHG_STATUS		000: Discharge 001: Pre-Charge 010: Trickle-Charge 011: CC Charge 100: Reserved 101: CV Charge 110: Reserved 111: Charge Done	
4	ISNS_RATIO		0: 5000 1: Reserved	Discharge current sense ratio
3	TSD_120		0: $T_J < 120^{\circ}C$ 1: $T_J > 120^{\circ}C$	
2	TSD_150		0: $T_J < 150^{\circ}C$ 1: $T_J > 150^{\circ}C$	
1	ISNS<ITERM		0: $I_{SNS} > I_{TERM}$ 1: $I_{SNS} < I_{TERM}$	
0	VSYS>VBAT		0: $V_{SYS} < V_{BAT}$ (Discharge) 1: $V_{SYS} > V_{BAT}$ (Charge)	

### STATUS2 Register

# YHM2710

## 500mA Linear Charger with 150nA Shipping Mode Current

Address: 06h

Type: Read Only

Bits	Name	Defaults	Description	Comment
7:4	FSM_MODE		0000: RESET 0001: SHIPPING 0010: SLEEP 0011: ITEST 0100~0111: RESERVED 1000: DISCHARGE 1001: FAULT 1010: START 1011: SYS_PRE 1100: CHARGE 1101: CHARGE_DONE 1111: STOP_CHARGE	
3	VBAT>2		0: V <sub>BAT</sub> <2V 1: V <sub>BAT</sub> >2V	
2	VBAT> VBAT_TRICKLE		0: V <sub>BAT</sub> < V <sub>BAT_TRICKLE</sub> 1: V <sub>BAT</sub> > V <sub>BAT_TRICKLE</sub>	
1	VBAT_OV		0: V <sub>BAT</sub> < V <sub>REG</sub> +100mV 1: V <sub>BAT</sub> > V <sub>REG</sub> +100mV	
0	VBAT_UV		0: V <sub>BAT</sub> >2.4V 1: V <sub>BAT</sub> <2.4V	

### STATUS3 Register

Address: 07h

Type: Read Only

Bits	Name	Defaults	Description	Comment
7	CV_BAR		0: In CV 1: Not in CV	CV need meet below condition: 05H[7:5]=101 and 07H[7]=0
6:0	RESERVED			

### ID Register

Address: 08h

Type: Read Only

Bits	Name	Defaults	Description	Comment
7:4	Vendor	1010		
3:0	Version	0000		



## 500mA Linear Charger with 150nA Shipping Mode Current

### 6 Control Flow Chat

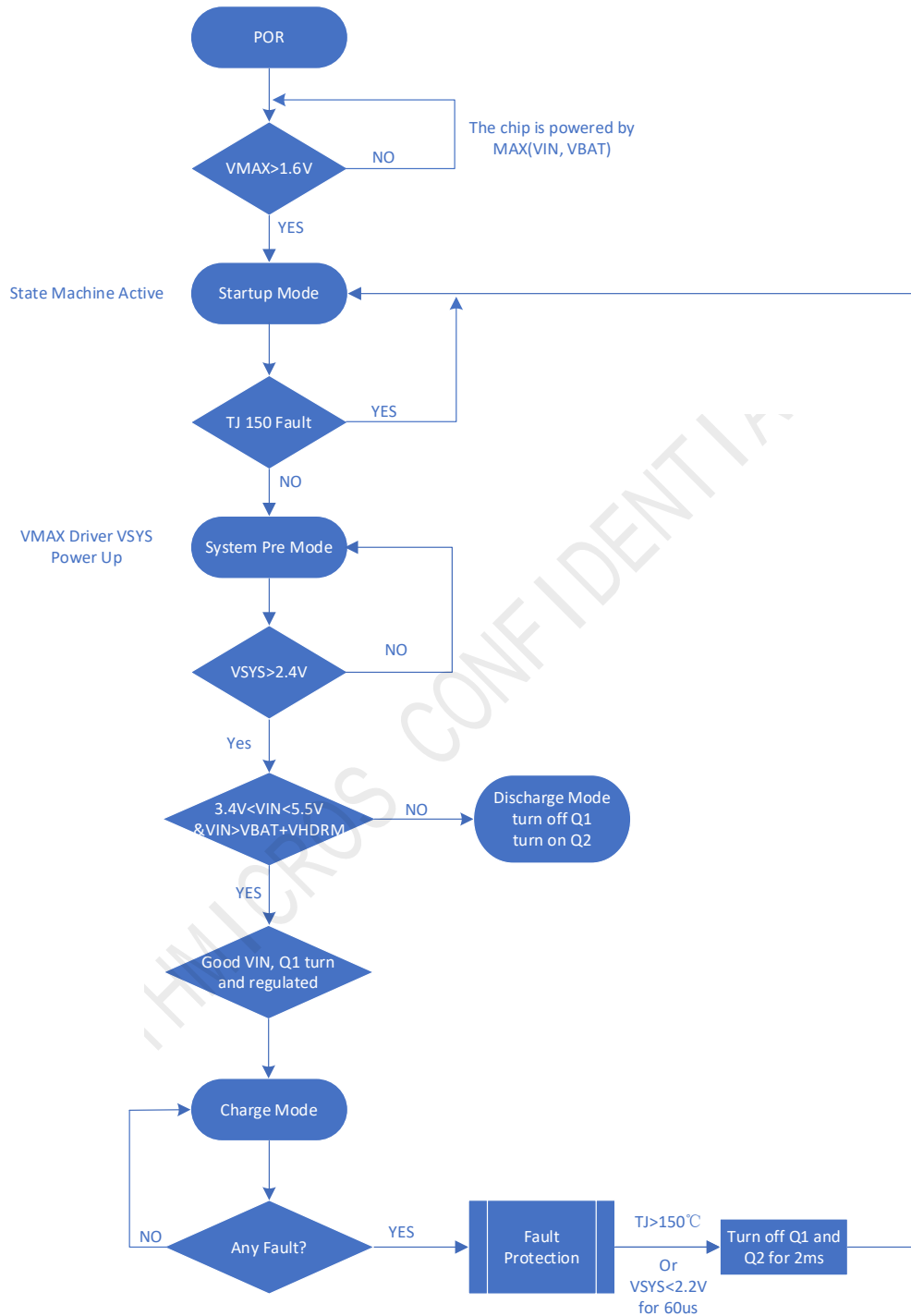


Fig 9. Startup Flow Chat

## 500mA Linear Charger with 150nA Shipping Mode Current

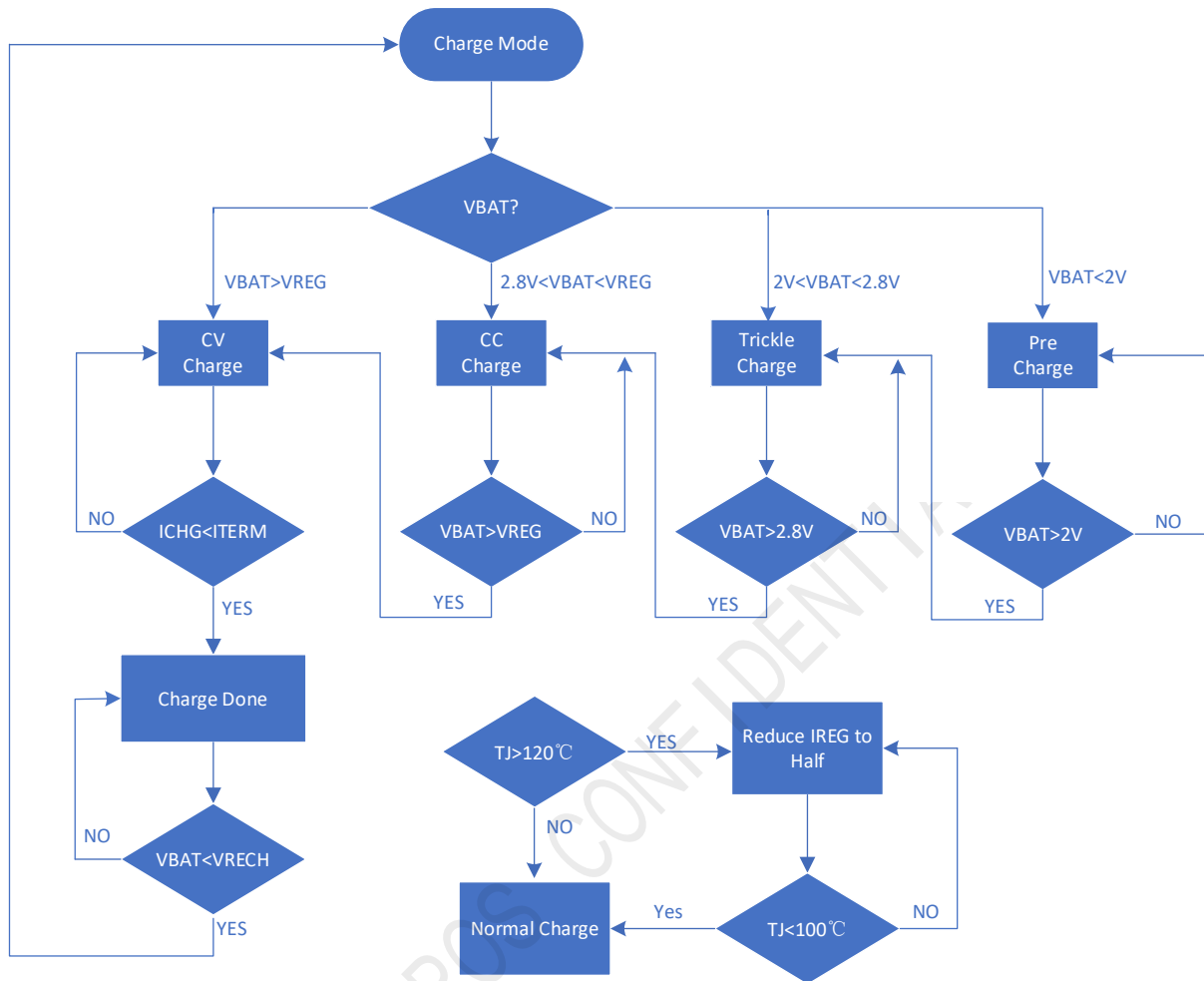
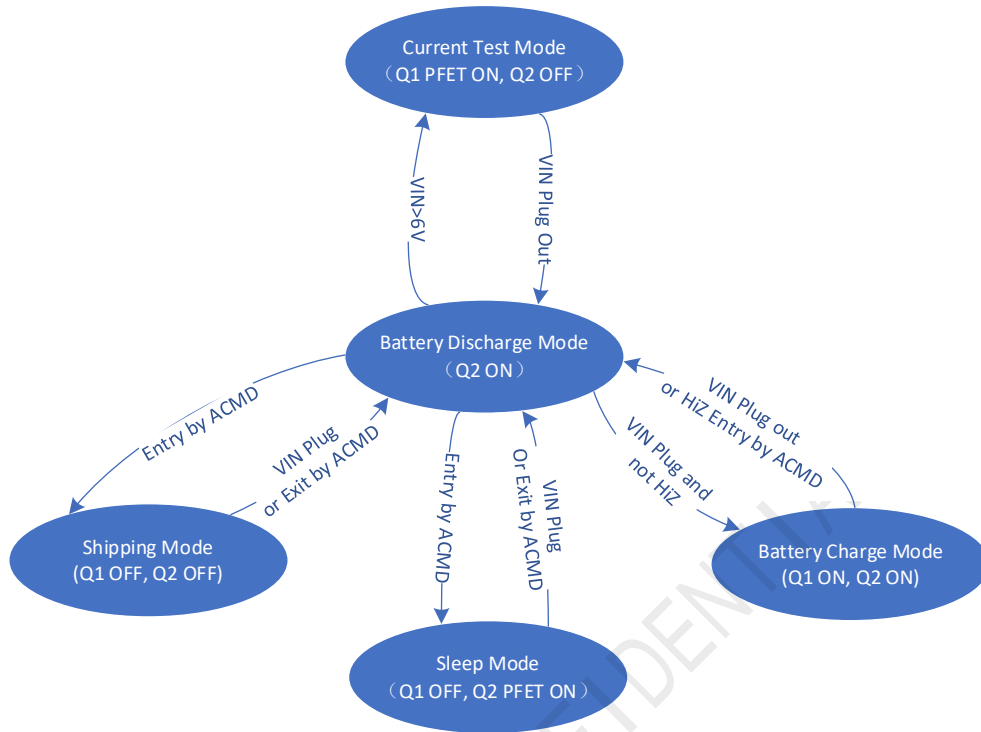


Fig 10. Charging Flow Chat

## 500mA Linear Charger with 150nA Shipping Mode Current



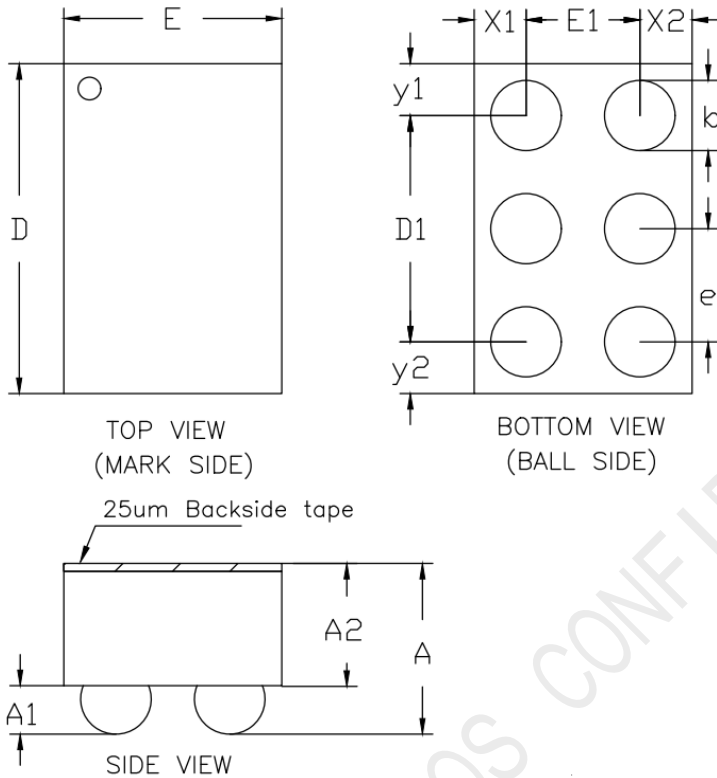
**Fig 11. State Machine Conversion**

# YHM2710

## 500mA Linear Charger with 150nA Shipping Mode Current

### Package Dimensions

WLCSP-6 0.67x1.02



COMMON DIMENSIONS  
(UNITS OF MEASURE=MILLIMETER)

SYMBOL	MIN	NOM	MAX
A	0.483	0.528	0.573
A1	0.130	0.150	0.170
A2	0.353	0.378	0.403
D	1.000	1.020	1.040
D1	0.700BSC		
E	0.650	0.670	0.690
E1	0.350BSC		
b	0.200	0.220	0.240
e	0.350BSC		
x1	0.160 REF		
x2	0.160 REF		
y1	0.160 REF		
y2	0.160 REF		

# YHM2710



## 500mA Linear Charger with 150nA Shipping Mode Current

### Ordering Information

Part Number	Temp Range	Pin Package	Top Mark	MOQ
YHM2710W6T	-40°C to 85°C	6 WLCSP	YW L0	3000

*T = Tape and reel.*

*YW: Date Code. Y = year, W = week.*

*L: The last number of LOTID.*

*0: YHM2710*

YHMICROS CONFIDENTIAL

Email Requests to: [SALES@YHMICROS.COM](mailto:SALES@YHMICROS.COM)

YHMicros Website: [WWW.YHMICROS.COM](http://WWW.YHMICROS.COM)